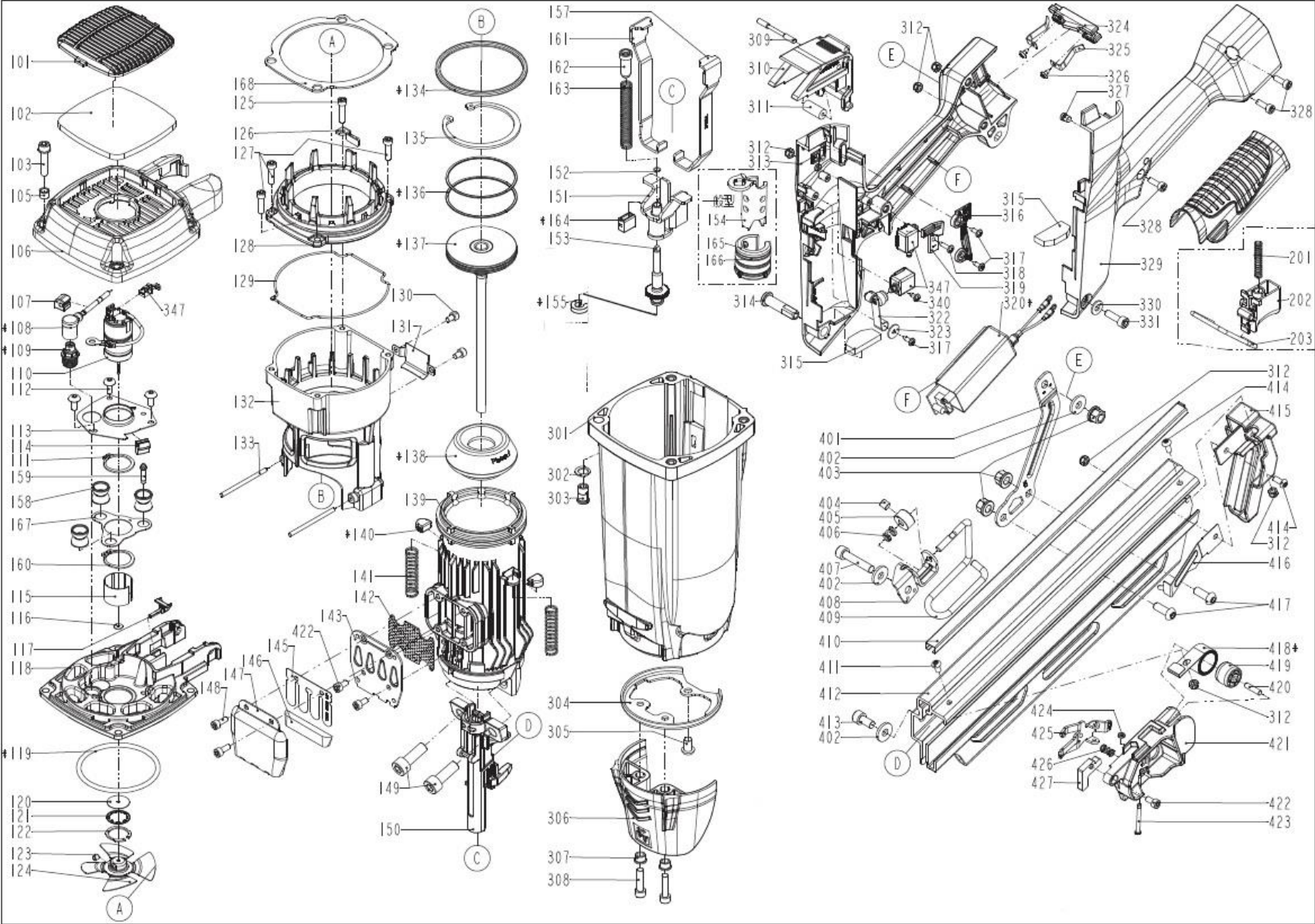


Nail gun ESSVE FNG 21/90 G3



Nail gun ESSVE FNG 21/90 G3

Pos	Art. Nr.	Name	Pos	Art. Nr.	Name	Pos	Art. Nr.	Name	Pos	Art. Nr.	Name
101	10001277	DEFLECTOR	140	10001250	BUMPER-COMBUSTION CHAMBER	309	10000864	PIN-FUEL ACTUATOR	415	10001160	PROTECTING HOOD COVER
102	10001215	FILTER UNIT	141	10001240	SAFETY SPRING	310	10001303	FUEL ACTUATOR	416	10001074	STOP NAIL PLATE
103	10001307	BOLT W/FLAT WASHER	142	1139W11500012	EXHAUST MESH PLATE	311	10000992	BUSH-FUEL ACTUATOR	417	10001312	HALF ROUND HD.HEX.BOLT
105	10001274	COLLOR	143	10001299	EXHAUST BAFFLE	312	10001055	LOCK NUT	418		SPRING
106	10001260	CAP	145	1139X11500012	REED VALVE	313		HANDLE A UNIT	419	1138603700021	ROLLING ELEMENT
107	10001270	RAFT HOOK BRACKET	146	10001296	CLEANER	314		HANDLE BOLT	420		ROLL PIN
108		HIGH VOLTAGE CABLE SET	147	10001300	DEFLECTOR	315		SPACER	421	10001140	PROTECTING HOOD COVER
109	1120D11547011	SPARKLER	148	10001007	HEX.SOC.HD.BOLT	316	10001231	BRACKET UNIT	422	10001006	HEX.SOC.HD.BOLT
110	10001211	MOTOR UNIT	149		HEX.SOC.HD.BOLT	317	10001316	SELF TAPPING BOLT	423	10001223	TRIGGER PIVOT PIN
111	10001030	S - RING	150		NOSE PIECE	318	10001318	SELF TAPPING BOLT	424	1131D04600011	URETHANE RETAINER
112	10001311	HALF ROUND HD.HEX.BOLT	151	10001220	SAFETY B UNIT	319		WIRE GUIDE B	425		PUSHER
113	10001228	POSITIONING SHEET	152	10001323	SELF-LOCKING EXTERNAL NUTS	320	901139	PCB ASSEMBLY	426		SPRING
114	10001269	GROUND WIRE BRACKET	153	10001218	ADJUST AXIE UNIT	322	10001212	MOTOR FAN SWITCH LEVER UNIT	427	10001267	SQUARE UNITS
115	10000990	SLEEVE MOTOR	154	10001238	SAFETY A	323	10001319	FLAT WASHER			
116	10000960	WASHER-MOTOR SHAFT	155	10001225	RING	324	10001268	BATTERY NODE BRACKET			
117	113A611511013	FUEL STEM ADAPTER	157		SAFETY C(LEFT)	325	10001304	BATTERY NODE		901137	Service kit
118		END CAP-COMBUSTION CHAMBER	158	10001251	FEED BUMPER	326	10001315	TAP BOLT		901087	Driver kit
119	10001326	O - RING	159	10001305	POSITIONING SHAFT	327		LED COVER		901127	Motor unit
120	10001275	SEAL	160	10001031	S - RING	328	10001009	HEX.SOC.HD.BOLT		901089	Feeding kit
121	10001230	SEAL PLATE-MOTOR	161	10001236	SAFETY C(RIGHT)	329		HANDLE B UNIT		901145	No mark set
122	10001322	IN-CONCENTRIC RING	162	10001291	SAFETY ROD	330		FLAT WASHER		901139	Electric unit
123	2040104020105	HEX.SOC.HD.SCREW	163	10001241	SAFETY SPRING	331	10001388	HEX.SOC.HD.BOLT		901133	Battery
124	1120C11500012	COOLING FAN ASSEMBLY	164	10001249	FEED BUMPER	340	10001317	SELF TAPPING BOLT		901135	Charger+adapter
125	10001309	HEX.SOC.HD.BOLT	165	901145 (3 pcs)	PROTECTIVE CASING	347	1122B11500011	MOTOR CABLE			
126	10001253	GUIDE	166		FIXED RING	401	10001233	BRACKET UNIT			
127	10001308	HEX.SOC.HD.BOLT	167	10001247	SPACER	402	10001188	FLAT WASHER			
128		UPPER COMBUSTION CHAMBER	168	10001248	SPACER	403	10001195	BOLT CAP			
129	10001235	PACKING	201	10001224	SPRING	404		HEX.SOC.HD.SCREW			
130	10001003	HEX.SOC.HD.BOLT	202	10001221	TRIGGER UNIT	405		POSITIONING AXIS			
131	10001295	WASHER	203	10001239	SAFETY	406	10001289	SPRING RETAINER			
132		COMBUSTION CHAMBER	301		GUN BODY	407		HEX.SOC.HD.BOLT			
133		PIN	302	10001281	WASHER CAP	408		RAFT HOOK BRACKET			
134	10001325	O-RING	303	10001293	CAP NUT	409	10001245	SPRING RETAINER			
135	10001320	C - RING	304		CYLINDER BRACKET	410	10001292	STEEL CHANNEL			
136	10001252	PISTON RING	305		HEX.SOC.HD.BOLT	411	10001182	HALF ROUND HD.HEX.BOLT			
137	10001207	DRIVER UNIT	306	10001279	SAFETY COVER	412	10001288	MAGAZINE			
138	10001234	BUMPER	307	10001294	WASHER-NOSE COVER	413	10001178	HEX.SOC.HD.BOLT			
139		CYLINDER	308	10001310	HEX.SOC.HD.BOLT	414	10001183	HALF ROUND HD.HEX.BOLT			

