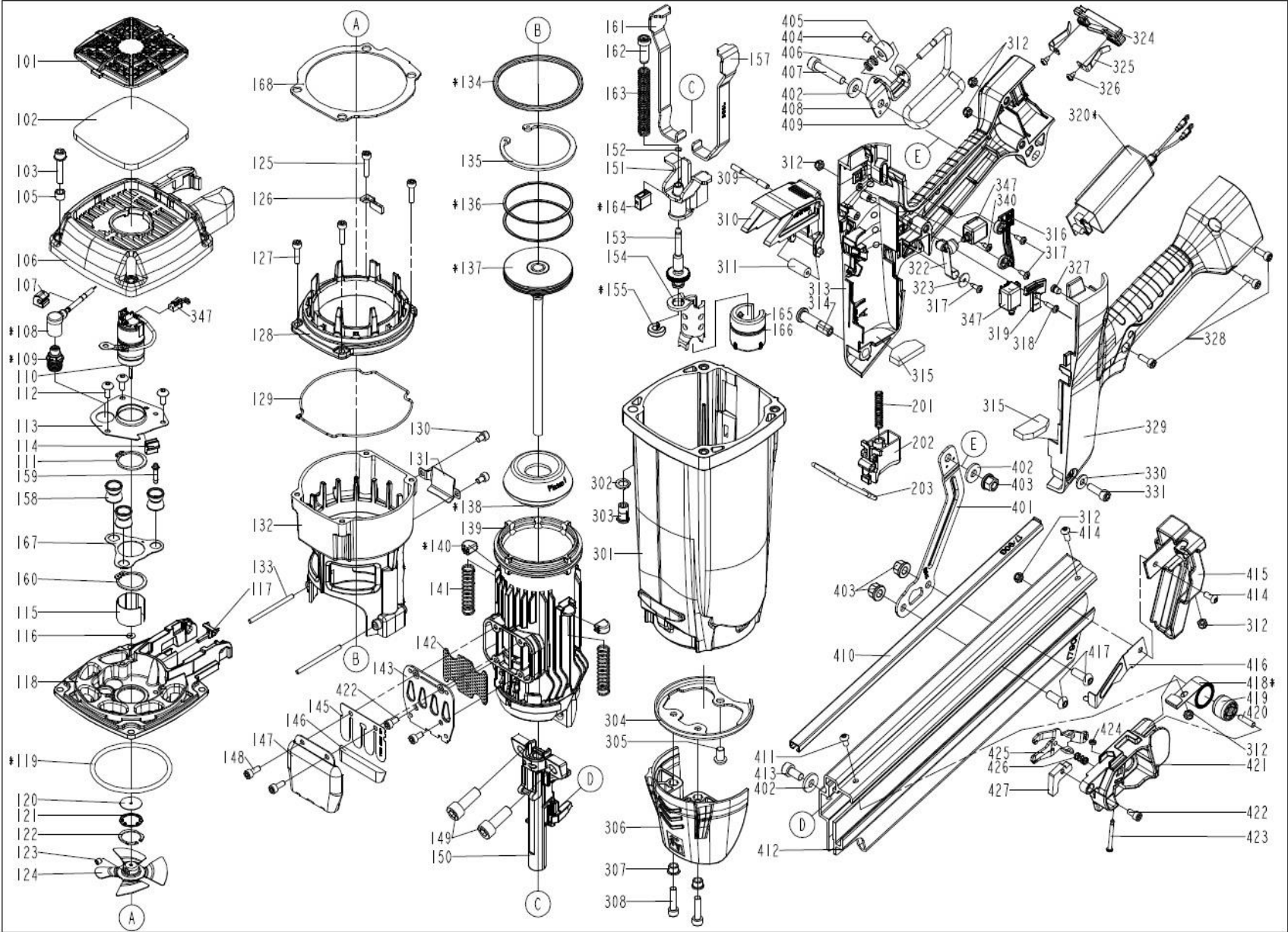


Nail gun ESSVE FNG 17/90 G3



Nail gun ESSVE FNG 17/90 G3

| Pos | Art. Nr. | Name | Pos | Art. Nr. | Name | Pos | Art. Nr. | Name | Pos | Art. Nr. | Name |
|-----|---------------|----------------------------|-----|----------------|----------------------------|-----|---------------|-----------------------------|----------------------|---------------|-----------------------|
| 101 | 10001277 | DEFLECTOR | 141 | 10001240 | SAFETY SPRING | 311 | 10000992 | BUSH-FUEL ACTUATOR | 418 | | SPRING |
| 102 | 10001215 | FILTER UNIT | 142 | 1139W11500012 | EXHAUST MESH PLATE | 312 | 10001055 | LOCK NUT | 419 | 1138603700021 | ROLLING ELEMENT |
| 103 | 10001307 | BOLT W/FLAT WASHER | 143 | 10001299 | EXHAUST BAFFLE | 313 | | HANDLE A UNIT | 420 | | ROLL PIN |
| 105 | 10001274 | COLLOR | 145 | 1139X11500012 | REED VALVE | 314 | | HANDLE BOLT | 421 | 10001140 | PROTECTING HOOD COVER |
| 106 | 10001260 | CAP | 146 | 10001296 | CLEANER | 315 | | SPACER | 422 | 10001006 | HEX.SOC.HD.BOLT |
| 107 | 10001270 | RAFT HOOK BRACKET | 147 | 10001300 | DEFLECTOR | 316 | 10001231 | BRACKET UNIT | 423 | 10001223 | TRIGGER PIVOT PIN |
| 108 | | HIGH VOLTAGE CABLE SET | 148 | 10001007 | HEX.SOC.HD.BOLT | 317 | 10001316 | SELF TAPPING BOLT | 424 | 1131D04600011 | URETHANE RETAINER |
| 109 | 1120D11547011 | SPARKLER | 149 | | HEX.SOC.HD.BOLT | 318 | 10001318 | SELF TAPPING BOLT | 425 | | PUSHER |
| 110 | 10001211 | MOTOR UNIT | 150 | | NOSE PIECE | 319 | | WIRE GUIDE B | 426 | | SPRING |
| 111 | 10001030 | S - RING | 151 | 10001220 | SAFETY B UNIT | 320 | 901139 | PCB ASSEMBLY | 427 | 10001265 | SQUARE UNITS |
| 112 | 10001311 | HALF ROUND HD.HEX.BOLT | 152 | 10001323 | SELF-LOCKING EXTERNAL NUTS | 322 | 10001212 | MOTOR FAN SWITCH LEVER UNIT | | | |
| 113 | 10001228 | POSITIONING SHEET | 153 | 10001218 | ADJUST AXIE UNIT | 323 | 10001319 | FLAT WASHER | Service kits: | | |
| 114 | 10001269 | GROUND WIRE BRACKET | 154 | | SAFETY A | 324 | 10001268 | BATTERY NODE BRACKET | 901137 | | Service kit |
| 115 | 10000990 | SLEEVE MOTOR | 155 | 10001225 | RING | 325 | 10001304 | BATTERY NODE | 901087 | | Driver kit |
| 116 | 10000960 | WASHER-MOTOR SHAFT | 157 | | SAFETY C(LEFT) | 326 | 10001315 | TAP BOLT | 901127 | | Motor unit |
| 117 | 113A611511013 | FUEL STEM ADAPTER | 158 | 10001251 | FEED BUMPER | 327 | | LED COVER | 901089 | | Feeding kit |
| 118 | | END CAP-COMBUSTION CHAMBER | 159 | 10001305 | POSITIONING SHAFT | 328 | 10001009 | HEX.SOC.HD.BOLT | 901131 | | No mark set |
| 119 | 10001326 | O - RING | 160 | 10001031 | S - RING | 329 | | HANDLE B UNIT | 901139 | | Electric unit |
| 120 | 10001275 | SEAL | 161 | 10001236 | SAFETY C(RIGHT) | 330 | | FLAT WASHER | 901133 | | Battery |
| 121 | 10001230 | SEAL PLATE-MOTOR | 162 | 10001291 | SAFETY ROD | 331 | 10001388 | HEX.SOC.HD.BOLT | 901135 | | Charger+ adapter |
| 122 | 10001322 | IN-CONCENTRIC RING | 163 | 10001241 | SAFETY SPRING | 340 | 10001317 | SELF TAPPING BOLT | | | |
| 123 | 2040104020105 | HEX.SOC.HD.SCREW | 164 | 10001249 | FEED BUMPER | 347 | 1122B11500011 | MOTOR CABLE | | | |
| 124 | 1120C11500012 | COOLING FAN ASSEMBLY | 165 | 901131 (3 pcs) | PROTECTIVE CASING | 401 | 10001229 | POSITIONING SHEET | | | |
| 125 | 10001309 | HEX.SOC.HD.BOLT | 166 | | FIXED RING | 402 | 10001188 | FLAT WASHER | | | |
| 126 | 10001253 | GUIDE | 167 | 10001247 | SPACER | 403 | 10001195 | BOLT CAP | | | |
| 127 | 10001308 | HEX.SOC.HD.BOLT | 168 | 10001248 | SPACER | 404 | | HEX.SOC.HD.SCREW | | | |
| 128 | | UPPER COMBUSTION CHAMBER | 201 | 10001224 | SPRING | 405 | | POSITIONING AXIS | | | |
| 129 | 10001235 | PACKING | 202 | 10001221 | TRIGGER UNIT | 406 | 10001289 | SPRING RETAINER | | | |
| 130 | 10001003 | HEX.SOC.HD.BOLT | 203 | 10001239 | SAFETY | 407 | | HEX.SOC.HD.BOLT | | | |
| 131 | 10001295 | WASHER | 301 | | GUN BODY | 408 | | RAFT HOOK BRACKET | | | |
| 132 | | COMBUSTION CHAMBER | 302 | 10001281 | WASHER CAP | 409 | 10001245 | SPRING RETAINER | | | |
| 133 | | PIN | 303 | 10001293 | CAP NUT | 410 | | STEEL CHANNEL | | | |
| 134 | 10001325 | O-RING | 304 | | CYLINDER BRACKET | 411 | 10001182 | HALF ROUND HD.HEX.BOLT | | | |
| 135 | 10001320 | C - RING | 305 | | HEX.SOC.HD.BOLT | 412 | 10001286 | MAGAZINE A | | | |
| 136 | 10001252 | PISTON RING | 306 | 10001279 | SAFETY COVER | 413 | 10001178 | HEX.SOC.HD.BOLT | | | |
| 137 | 10001207 | DRIVER UNIT | 307 | 10001294 | WASHER-NOSE COVER | 414 | 10001183 | HALF ROUND HD.HEX.BOLT | | | |
| 138 | 10001234 | BUMPER | 308 | 10001310 | HEX.SOC.HD.BOLT | 415 | 10001160 | PROTECTING HOOD COVER | | | |
| 139 | | CYLINDER | 309 | 10000864 | PIN-FUEL ACTUATOR | 416 | 10001074 | STOP NAIL PLATE | | | |
| 140 | 10001250 | BUMPER-COMBUSTION CHAMBER | 310 | 10001303 | FUEL ACTUATOR | 417 | 10001312 | HALF ROUND HD.HEX.BOLT | | | |

