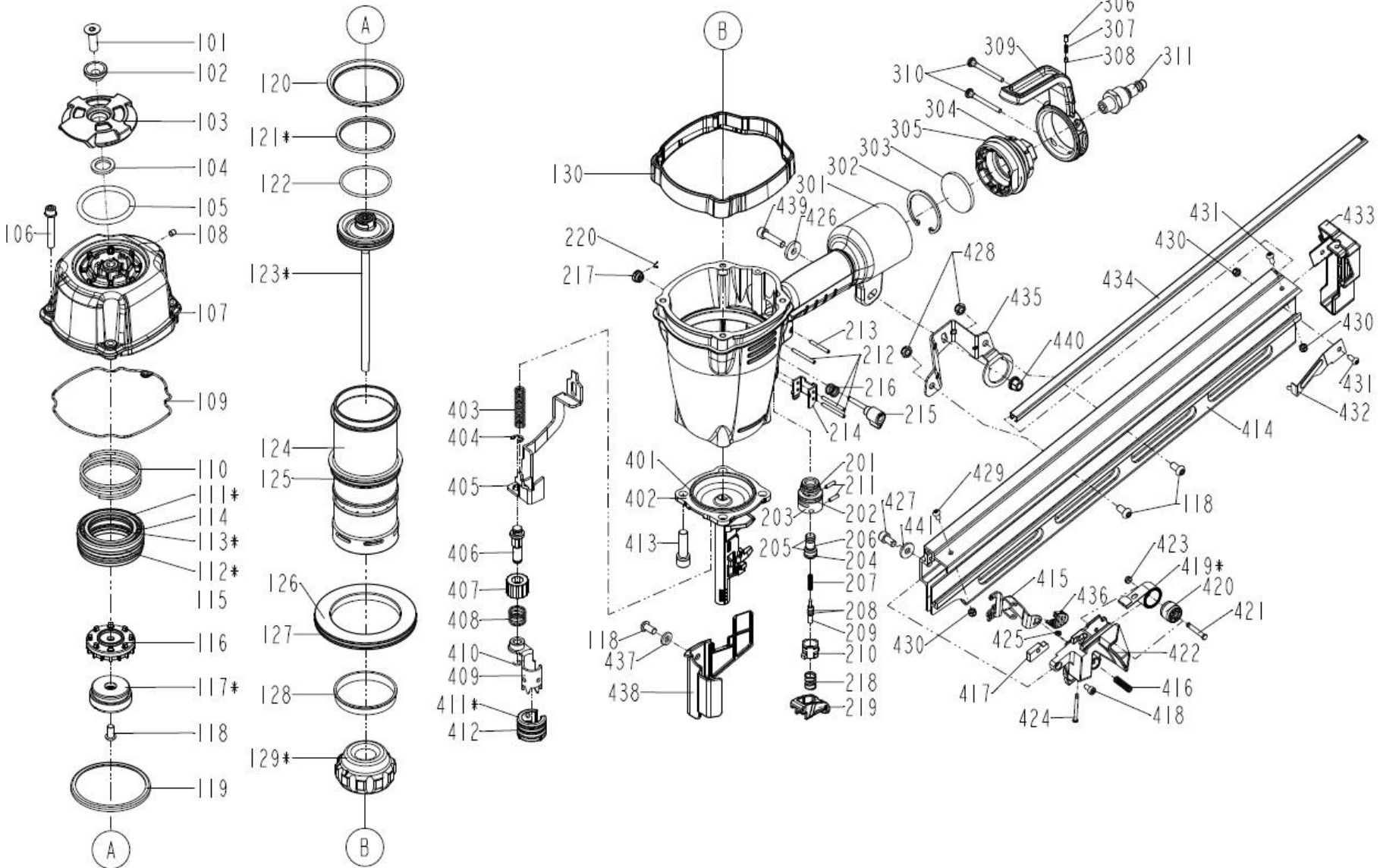


Framing nailer ESSVE FN 21/90



Framing nailer ESSVE FN 21/90

Pos	Art. Nr.	Name	Pos	Art. Nr.	Name	Pos	Art. Nr.	Name	Service kits:
101	2040103050102	COUNTER SUNK SCREW	209		PLUNGER	416	10001264	SPRING	901071 Service kit
102	1136B03747011	DEFLECTOR PAD	210		TRIGGER VALVE HEAD	417	10001142	SQUARE UNITS	901075 Driver kit
103	1137103747071	DEFLECTOR	211	10001190	SPRING PIN	418	10001006	HEX.SOC.HD.BOLT	901073 No mark set
104	1135G03747011	RUBBER PAD	212	10001047	SPRING PIN	419*		SPRING	901081 Latch kit
105	1132P03700021	MUFFLER ASSY	213	10001046	SPRING PIN	420	1138603700021	ROLLING ELEMENT	901069 Trigger valve kit
106		BOLT ASSY	214	10001094	SAFETY GUIDE	421	10001282	ROLL PIN	901193 Trigger switch kit
107	10001137	CAP	215		HINGE POINT	422	10001139	PROTECTING HOOD COVER	
108	10001371	HEX.SOC.HD.SCREW	216		SPRING	423	1135H07900011	PU RETAINER	
109		CYLINDER CAP SEAL	217	1131M03747011	LOCATING WHEEL	424	1131804647011	TRIGGER PIVOT PIN	
110	10001117	COMPRESSION SPRING	218	1137603700011	SPRING	425	1131D04600011	URETHANE RETAINER	
111*		O - RING	219	1122403700011	TRIGGER UNIT	426	10001188	FLAT WASHER	
112*		O - RING	220	1131C03700011	RING	427	10001178	HEX.SOC.HD.BOLT	
113*		O - RING	301		GUN BODY UNIT	428	10001194	LOCK NUT	
114	10001134	HD.VALVE PISTON	302	10001189	C - RING	429	10001182	HALF ROUND HD.HEX.BOLT	
115	10001174	COLLAR	303	10001150	FILTER	430	10001055	LOCK NUT	
116	10001144	VALVE	304	11346037A1031	END CAP	431	10001183	HALF ROUND HD.HEX.BOLT	
117*	1137003700041	SEAL	305	2041108050400	O - RING	432	10001074	STOP NAIL PLATE	
118	10001184	HALF ROUND HD.HEX.BOLT	306	2040104020200	HEX.SOC.HD.SCREW	433	10001159	PROTECTING HOOD COVER	
119	1136D03747011	PRESS RING	307	1434700300011	POSITIONING SPRING	434	10001169	STEEL CHANNEL	
120	10001114	PRESS RING	308	1136C00847011	POSITIONING SHAFT	435	10001081	BRACKET	
121*		PISTON RING	309	1133D03747031	SPRING RETAINER	436	10001156	GLOVE	
122		O - RING	310	10000966	SCREW	437	10001186	FLAT WASHER	
123*		DRIVER UNIT	311	901147	AIR PLUG	438	10001148	COVER-SAFETY	
124		CYLINDER	401		O - RING	439	10001179	HEX.SOC.HD.BOLT	
125		O - RING	402	10001151	NOSE PIECE	440	10001195	BOLT CAP	
126	10001077	CYLINDER SPACER	403		SAFETY SPRING	441	10001187	FLAT WASHER	
127		O - RING	404		E - RING				
128	1132203700021	CYLINDER RING	405	10001090	SAFETY B				
129*		BUMPER	406	10001070	ADJUST ROD UNIT				
130		PROTECTIVE CUSHION	407	10001166	ADJUST AXIE				
201		O - RING	408	10001158	SAFETY SPRING A				
202		O - RING	409	10001089	SAFETY A				
203		PLUNGER CAP	410	10001076	RING				
204		O - RING	411*	901073 (3 pcs)	PROTECTIVE CASING				
205		O - RING	412		FIXED RING				
206		VALVE PLUNGER	413		BOLT ASSY				
207		SPRING	414	10001153	MAGAZINE A				
208	10001061	O - RING	415		PUSHER				

