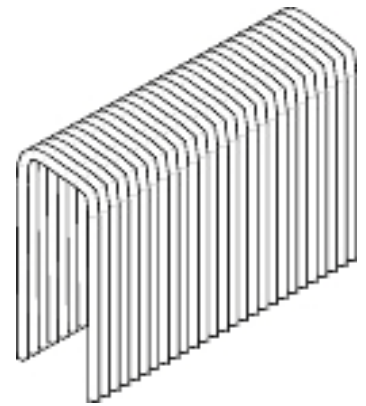


Suitable for all standard tools for Staples PB-18.

NOTE! For min/max length, see each machine's product sheet.

## Staples PB 18 = staples I 18. stainless A2



Back width=10.3 mm, wire=1.2 mm

Item no.	Leg length mm	Qty/ pack.	Item code
778482	25	3000	D

