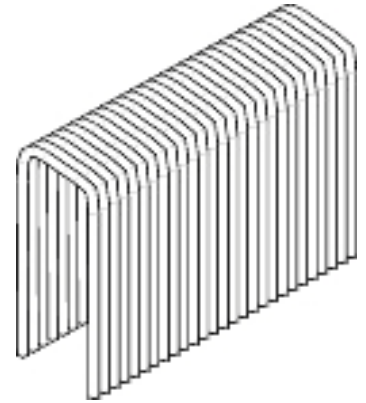


Suitable for all standard tools for Staples PG 50.

NOTE! For min/max length, see each machine's product sheet.

**Staples PG50 = Staples DF50. bright zinc plated**



**Back width 13 mm, wire=1.3x0.5 mm**

Item no.	Leg length mm	Qty/ pack.	Item code
778450	6	9000	L
778452	8	7000	L

