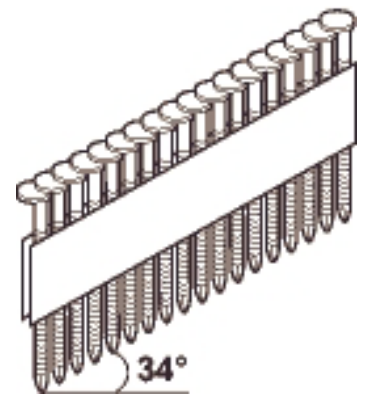
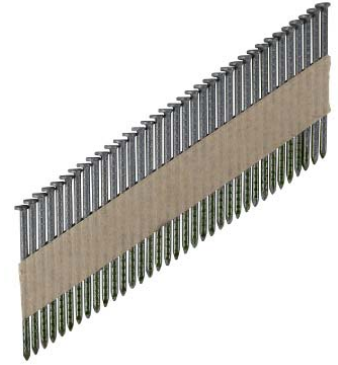


Suitable for all standard tools for 34° nails.

NOTE! For min/max length, see each machine's product sheet.

Tjep Automated nail 34°, D-head, coiled, hot dip galvanized



Packages

Item no.	Nail type	Dimension mm	Qty/pack.	Item code
778012	Coiled	3.1 x 98	1800	D