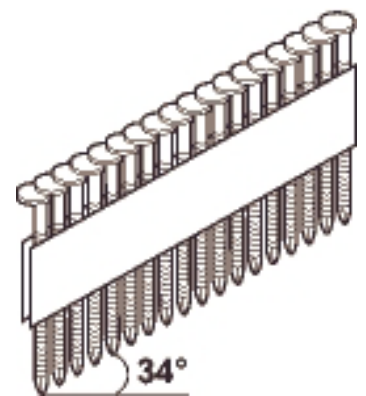
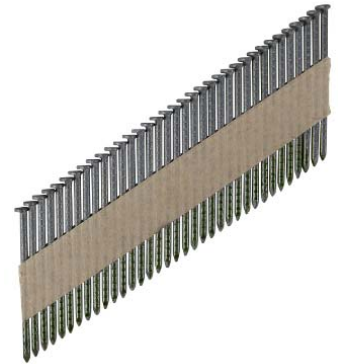


Suitable for all standard tools for 34° nails.

NOTE! For min/max length, see each machine's product sheet.

## Automated nails 34°, plain, blank



### Packages (blank = no surface treatment)

| Item no. | Nail type | Dimension mm | Bucket size | Qty/pack. | Item code |
|----------|-----------|--------------|-------------|-----------|-----------|
| 777910   | Plain     | 2.8 x 60     | BU2         | 1800      | L         |
| 777912   | Plain     | 2.8 x 75     | BU2         | 1300      | L         |
| 777914   | Plain     | 3.1 x 90     | BU2         | 1200      | L         |

16BU 1 = Bucket 19 cm high. BU 2 = Bucket 16 cm high

