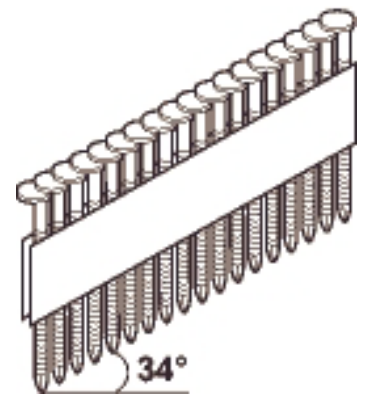
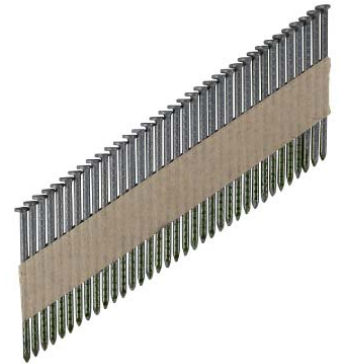


Suitable for all standard tools for 34° nails.

NOTE! For min/max length, see each machine's product sheet.

### Automated nails 34°, D-head, plain, hot dip galvanised



#### Packages

Item no.	Nail type	Dimension mm	Bucket size	Qty/ pack.	Item code
<b>777900</b>	Plain	2.8 x 50	BU2	2200	L
<b>777902</b>	Plain	2.8 x 60	BU2	1800	L
<b>777904</b>	Plain	2.8 x 75	BU2	1300	L
<b>777906</b>	Plain	3.1 x 90	BU2	1200	L

BU 1 = Bucket 19 cm high. BU 2 = Bucket 16 cm high