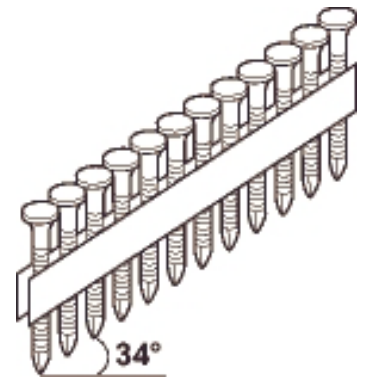
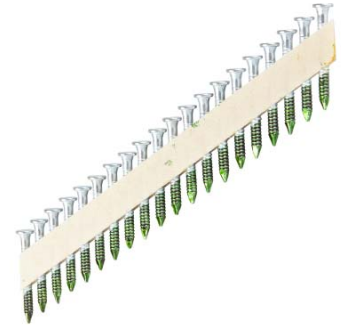


Suitable for all standard tools for 34° Anchor nails. See the manufacturer's product sheet.

NOTE! For min/max length, see each machine's product sheet.

## Straight collated Anchor nail, 34° hot dip galvanized



### Packages

Item no.	Dimension mm	Qty/ pack.	Item code
777694	4.0 x 40	1200	L