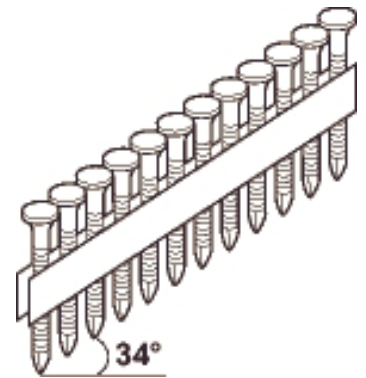
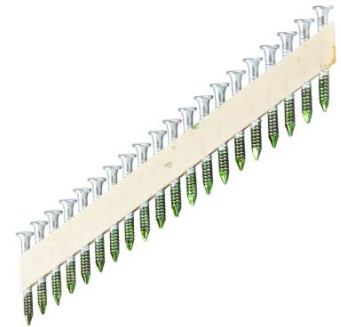


Suitable for all standard tools for 34° Anchor nails.
 ne's product sheet.

NOTE! For min/max length, see each machi-

Straight collated Anchor nail, 34° paper collated, bright zinc plated



Packages

Item no.	Dimension mm	Qty/ pack.	Item code
777690	4.0 x 40	1200	L
777692	4.0 x 50	1200	L

