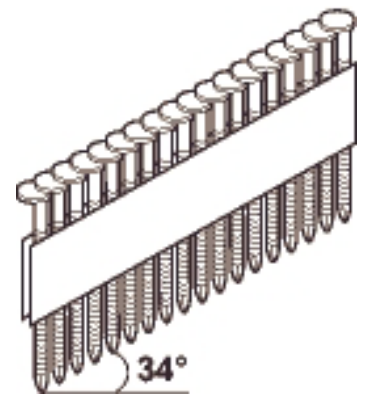
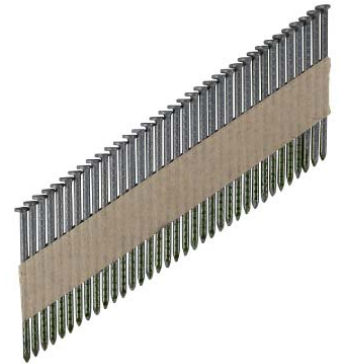


Suitable for all standard tools for 34° nails.

NOTE! For min/max length, see each machine's product sheet.

Automated nails 34° D-head, barbed, hot dip galvanised



Packages

Item no.	Nail type	Dimension mm	Bucket size	Qty/pack.	Item code
777401	Barbed	2.8 x 50	BU1	2200	L
777403	Barbed	2.8 x 60	BU1	1800	L
777405	Barbed	2.8 x 75	BU1	1300	L
777407	Barbed	3.1 x 90	BU1	1200	L

BU 1 = Bucket 19 cm high. BU 2 = Bucket 16 cm high

