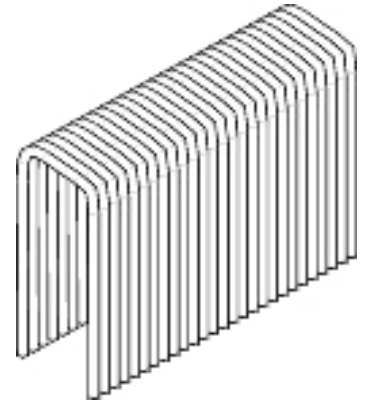


Suitable for all standard tools for Staples PB-18.

NOTE! For min/max length, see each machine's product sheet.

## Staples PB-18 = Staples I-18. bright zinc plated



Back width=10.3 mm, wire=1.3x1.0 mm

Item no.	Dimension mm	Qty/ pack.	Item code
774474	10 × 25	2800	L
774478	10 × 32	2000	L
774480	10 × 38	2000	L

