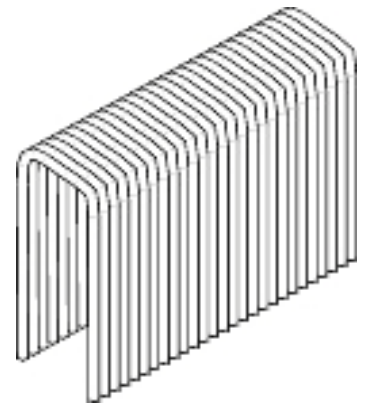


Suitable for all standard tools for Staples PL16.

NOTE! For min/max length, see each machine's product sheet.

Staples PL16 = Staples S16. bright zinc plated



Back width 13 mm, wire 1.6 mm

Item no.	Dimension mm	Qty/ pack.	Item code
774415	13 × 38	6600	L
774418	13 × 50	5000	L

