

"PRESSURE TEST" CERTIFICATE

Project: -

Certificate Number: SKM 0100608/1

Client: Fire Seal Engineering AB
611 35 Nyköping
Sweden

Office: Stockholm

Client's Order Number: -

Date: 3 September 2001

Order Status: Complete

Inspection Dates

First: and

Final: 31 August 2001

This certificate is issued to Fire Seal to certify that the undersigned Surveyor did at their request attend their works at Nyköping, Sweden for the purpose of witnessing pressure test.

ONE (1) TEST SPECIMEN, shown in
attached doc. FSR-0-061-00

The test specimen was subjected to the following pressure test with water:
300 kPa maintained for 30 minutes.

No leakage was observed during the tests, see attached report.

The survey was confined to pressure tests witnessing only.



.....
F. Almlöv
Surveyor to Lloyd's Register

bmn

Approved by	Page	Date	Document No
	½	31.08.01	FSR-O-061-01

Water Tightness Test Report Squeezer A Plastic Pipe Seal

A water tightness test was carried out on the Squeezer A Plastic Pipe Seal to assess the ability to withstand a specific water pressure.

Test Mock-up

The test specimen, shown in attached drawing, consisted of a flanged steel vessel connected to a water service. The vessel, which had an inner dia. of 200 mm, was equipped with a calibrated manometer of 0 – 6 Bar range. The vessel was bolted to a 6 mm thick steel plate with a centrally located orifice of 130 mm dia.

A PVC pipe of 110 mm dia. was installed through the orifice and the the annular opening between the pipe and the plate was sealed with a double fillet joint of Firestop Sealant 3000.

Finally, a typical Squeezer A was then attached with 4 nos. 5.5 x 32 mm self-tapping screws onto the plate.

The installation was carried out on Jan 4, 2001 and the specimen has been kept at room temperature.

Test Date

The test was conducted on Aug. 31, 2001.


Test Pressure

300 kPa for 30 minutes – no leakage observed.

Witnessing

Mr. Fredrik Almlöv, Surveyor to Lloyd's Register, Stockholm, witnessed the test.

Bo Ohlsson
FireSeal, Essve Produkter AB


Fredrik Almlöv
Lloyd's Register

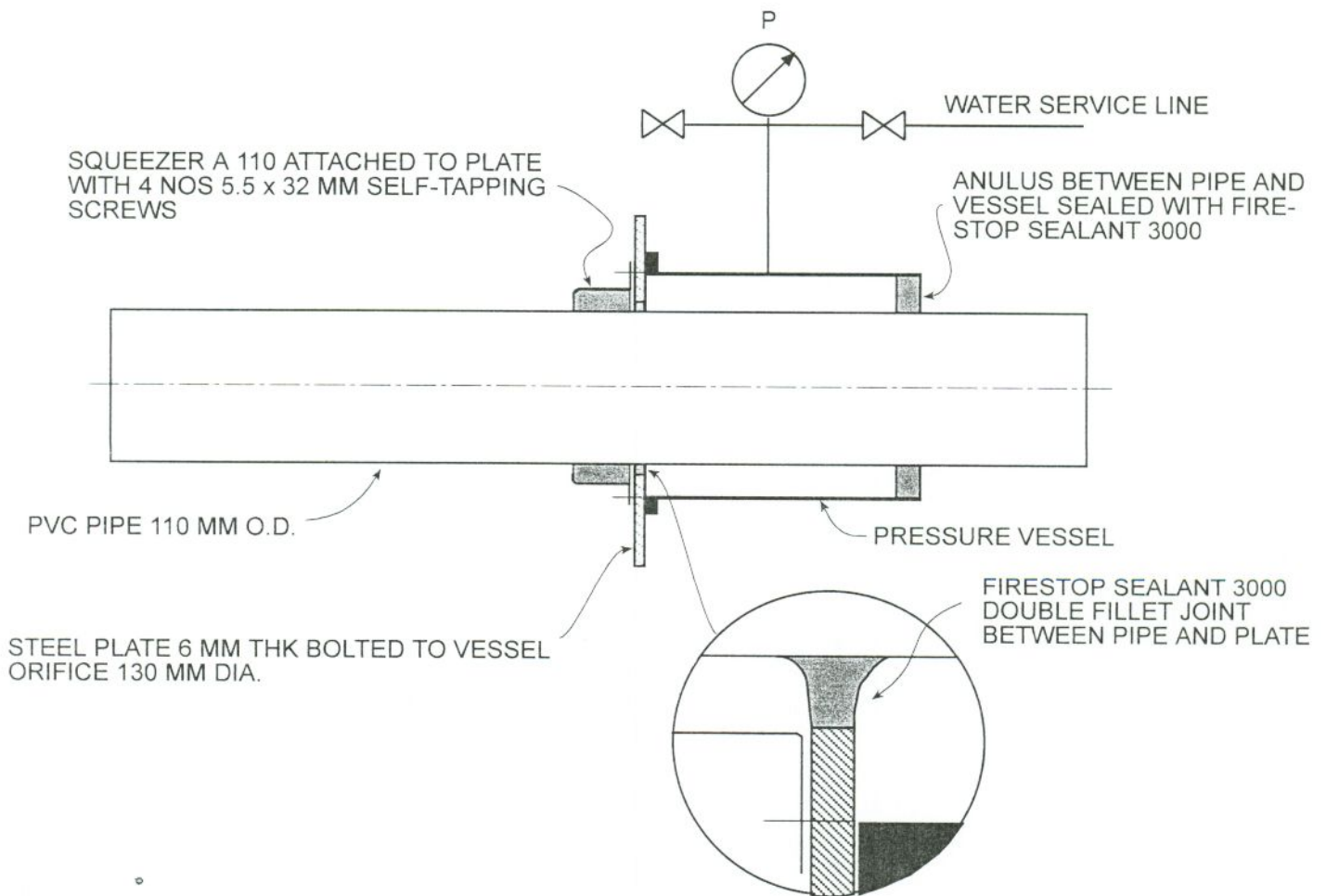


31. 08. 01

SKM 0100608

STATIC PRESSURE TEST ON SQUEEZER A 110

FSR-0-061-00
2/2



31.08.01